

Print Template:

Tiffany Matchbox

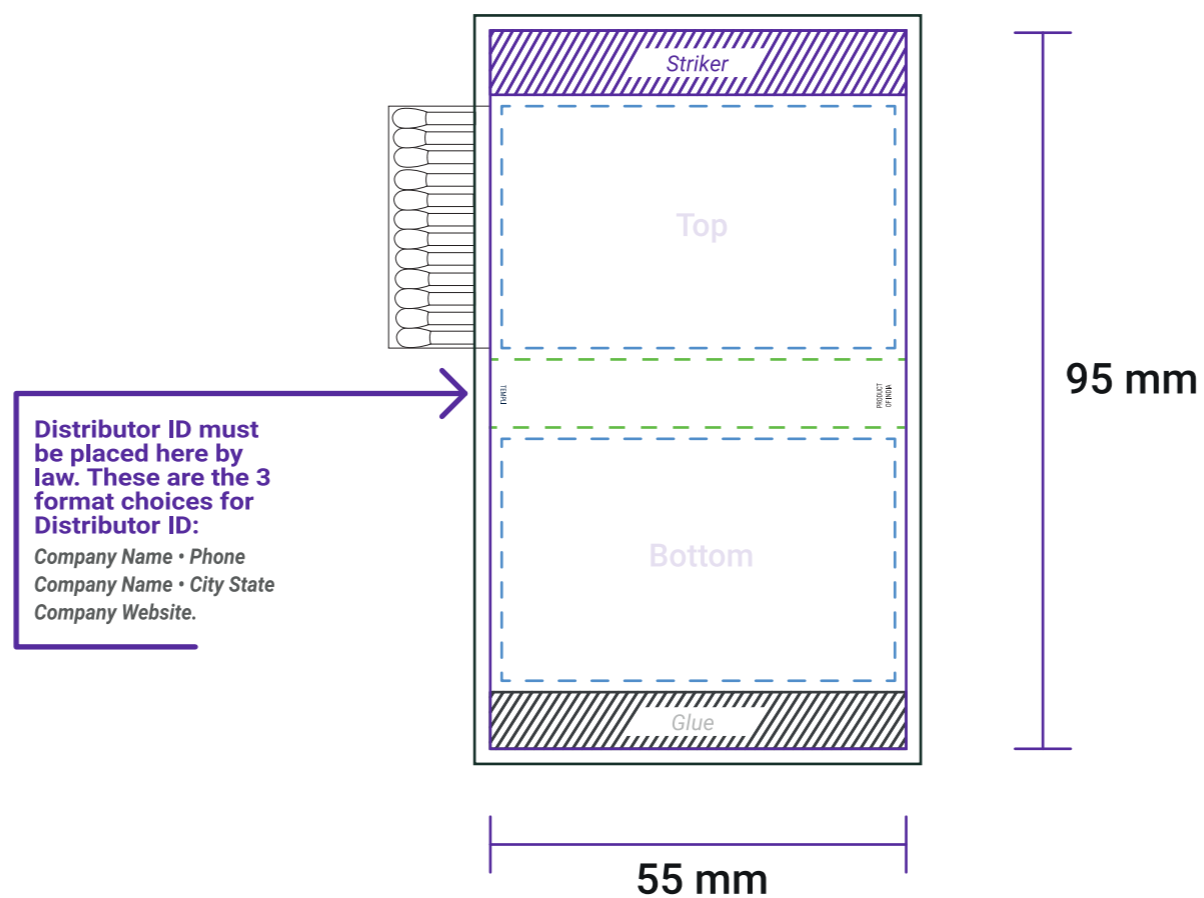
- White match tip only

Artwork Set Up

**Make sure to apply the following printing requirements:*


- Use CMYK or PMS Uncoated
- Use Uncoated Pantone Book
- Use vector art
- Convert all type to outlines
- Minimum font size: 6pt
- Minimum stroke weight: 1pt
- Images resolution: 300dpi
- Create design in ARTWORK Layer

Dimensions in millimeters



- **Bleed Line** 

**This is the area where the background colour or graphics should cover if they are to be printed to the final edge of the product.*

- **Cutting Mark** 

**Where the finished product will be cut.*

- **Safe Line** 

**Any important text or graphics should be placed inside the dashed safe line.*

- **Fold Line** 

